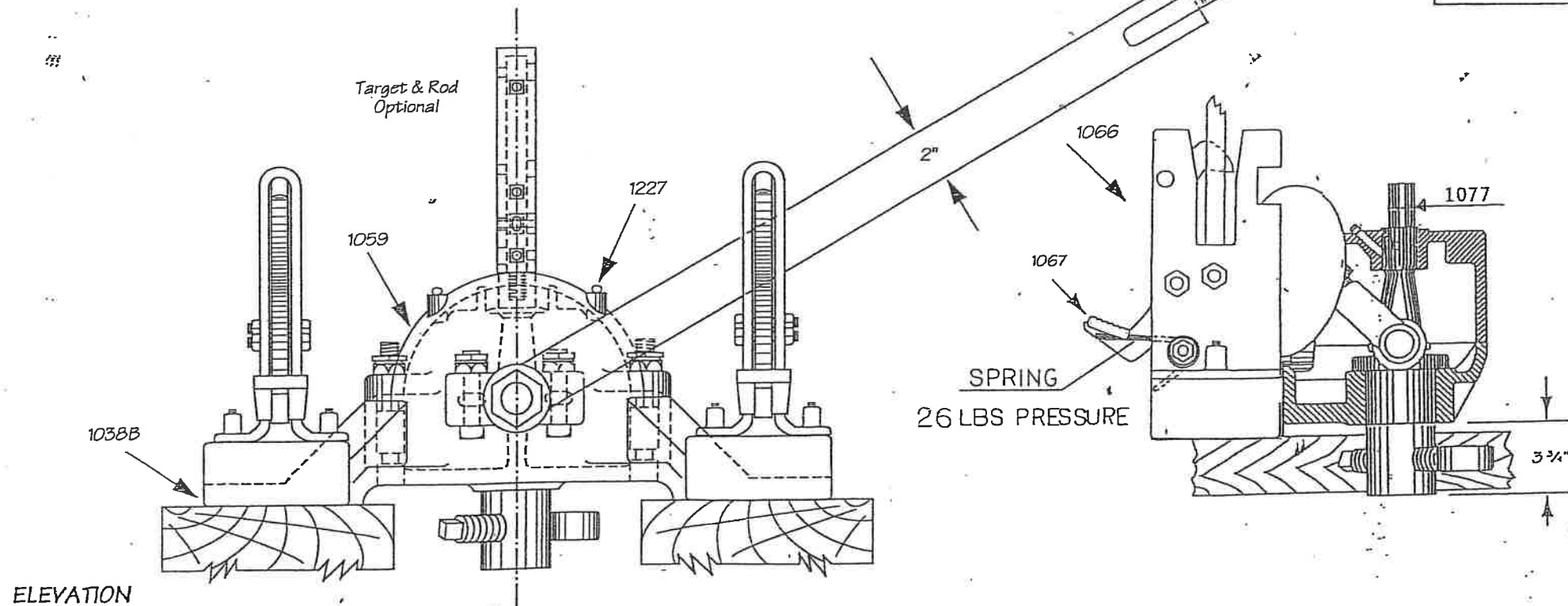


PART/NUMBER	DESCRIPTION	CUST. CODE
1038B	BASE 1004A	
1059	COVER NO. 4	
1004-36	39" LEVER	
HANDLE PAINTED WITH FLUORESCENT ORANGE PAINT		
1042A	TOGGLE	
1.00CHXNTNE	HEX NUT	
1.00FWUSS	FLAT WASHER	
124B	SCREW 1-3/4	
1227	GREASE FITTING	
1429	GREASE	
GREASE STAND EVERY 6 MONTHS		
.625CD3.50SH2	5/8-11 X 3 1/2 SH 2 BOLT	
.625CD4.50SH2	5/8-11 X 4 1/2 SH 2 BOLT	
.625CHXNTNE	5/8-11 HEX LN	
1040A5	SPINDLE ASSY 4, 2-3/4 DIA.	
.625FWUSS	5/8 FW USS	
1067	FOOT LATCH	
1066	BRACKET	
1068	BUSHING	

1004ARS52595



MODEL 1004ARS
HEAVY DUTY MANUAL
SWITCH STAND

NATIONAL TRACKWORK
1500 Industrial Drive
Itasca, IL 60143
708-250-0600
Fax: 708-250-0220